



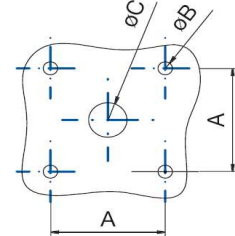


## Technical Data Telergon Cam Switches

According to IEC 947.3

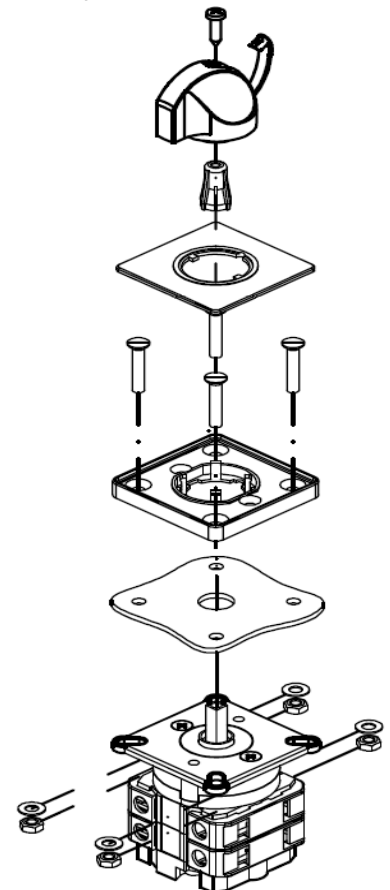
		Size 0	Size 1	Size 2
		T20	T32	T63
Rated Thermal Current (Ith)	A	25	40	80
Rated Insulation Voltage (Ui)	V	500	690	690
Rated Impulse Withstand Voltage (Uimp)	kV	6	8	8
<b>Rated Operational Current (Ie)</b>				
415V AC21A	A	25	40	80
415V AC22A	A	25	40	80
690V AC21A	A	-	40	80
690V AC22A	A	-	25	63
<b>Rated Operational Power Pe (AC)</b>				
3 x 415V AC23A	kW	7,5	15	37
3 x 500V AC23A	kW	7,5	15	37
3 x 690V AC23A	kW	-	18.5	45
Rated conditional short-circuit current	kA	10	10	15
Maximum rated back-up fuse (gG)	A	25	50	80
Rated breaking capacity (400V, cos 0.45)	A	100	256	504
Rated short-time withstand current (1 sec)	A	400	725	1600
Mech durability (thousand of operations)		1000	1000	1000
Maximum connection capacity	mm <sup>2</sup>	2 x 4	2 x 10	16
Rigid copper conductor	mm <sup>2</sup>	2 x 2.5	2 x 6	10
Ambient air temperature	°C	-5°...+40°		
Maximum altitude	m	2000	2000	2000
Maximum humidity		90%	90%	90%
Pollution degree		3	3	3
Rated frequency	Hz	50/60	50/60	50/60

### Mounting Details



Switch	A	B	C	Screw
T20	36	4.5	12	M4 x 20
T32	48	4.5	12	M4 x 20
T63	68	5.5	12	M5 x 18

### Assembly



### Dimensions:

Switch		1	2	3	+	A	B	F	I	J	□
T20	L	34.5	46	57.5	+11.5	36	50	33.5	18	15	5
	H	37.5	49	60.5							
T32	L	49.8	67.3	84.8	+17.5	48	65	35.5	20	16.8	
	H	53	70.5	88							
T63	L	58.5	78.5	98.5	+20	68	94	45.5	24.5	20.5	
	H	62.5	82.5	102.5							

