

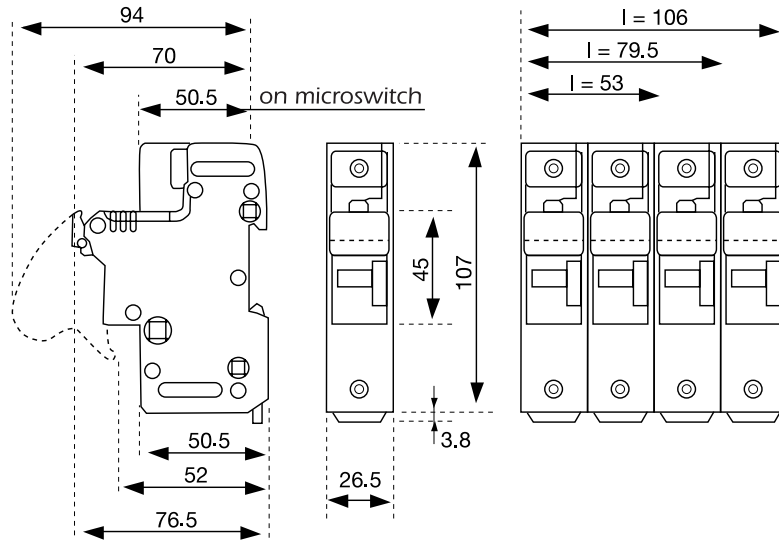


Gears & Fuse Gears

IEC General Purpose Fuses Ferrule Fuses Modulostar® CMS14, CMS22

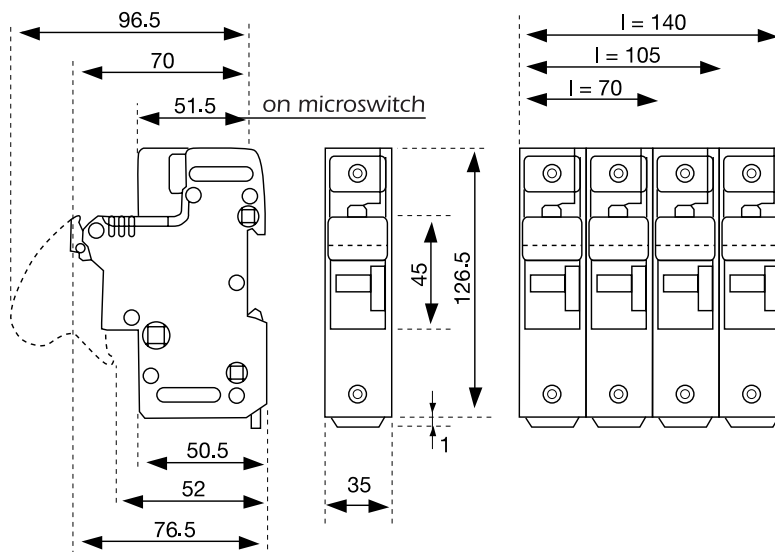
Mecanics for CMS 14 & 22

Dimensions of CMS 14 and US 14 products



Width depending on nb. of 17.5 mm modules	Nb poles	1	2	3	4	5	6
	Nb of modules	1.5	3	4.5	6	7.5	9
	mm	26.5	53	79.5	106	132.5	159

Dimensions of CMS 22 and US 22 products



Width depending on nb. of 17.5 mm modules	Nb poles	1	2	3	4	5	6
	Nb of modules	2	4	6	8	10	12
	mm	35	70	105	140	175	210

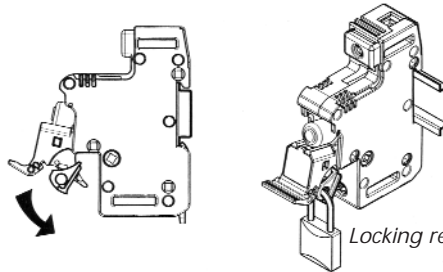
Gears & Fuse Gears



IEC General Purpose Fuses Ferrule Fuses Modulostar® CMS14, CMS22

Mechanics for CMS 14 & 22

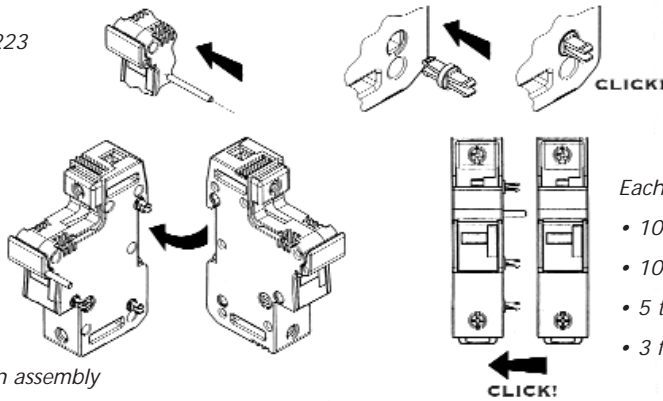
Locking system



Locking reference: M223525

Multipole assembly

Assembly kit
CMS14 & CMS 22: Z218223



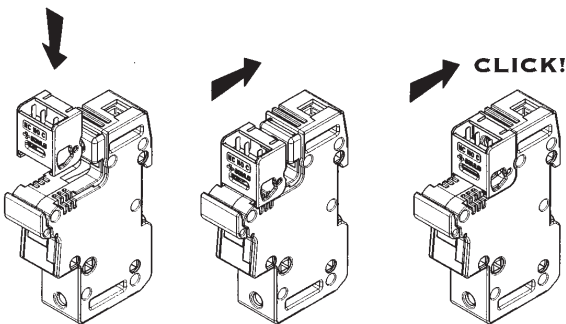
Assembly kit
US 14: X227927
US 22: F227958

Each bag of kits is sufficient for:

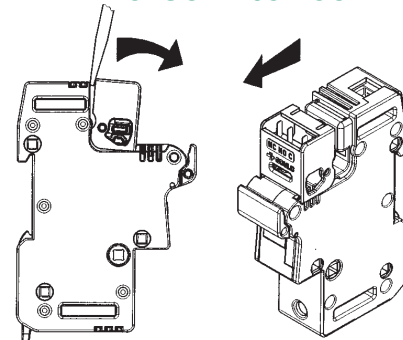
- 10 multipole assemblies
- 10 two-pole assemblies
- 5 three-pole assemblies
- 3 four-pole assemblies

NB: 6 poles maximum in an assembly

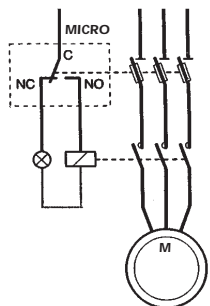
Mounting auxiliary microswitches



Dismounting auxiliary microswitches



Auxiliary microswitch functions



- Fuse melting:** A fuse holder containing a fuse with a striker sends out a signal when the fuse element melts
- Pre-isolation:** When the fuse holder opens
- Presence:** Sends a signal when the holder is closed with no fuse in it

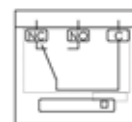
Characteristics of the auxiliary microswitch

Min. voltage and current for operation 10VAC-DC - 100mA

Rated current and breaking capacity (1) at 250V	6A	AC 12
	3A	AC 13
Rated current and breaking capacity (1) at 2 and 24 V	0,3A	AC 14
	0,1A	DC 12/13/14
	0,6A	

Rated current and breaking capacity (1) at 2 and 24 V	6A	DC 12/DC13
	5A	AC 13
	2A	AC 14/DC 13
	0,6A	DC 14

(1) as per standard IEC 947-5



With the fuse in the handle closed state.



No fuse
Fuse blown
Handle open



Gears & Fuse Gears

IEC General Purpose Fuses Ferrule Fuses Modulostar® CMS14, CMS22

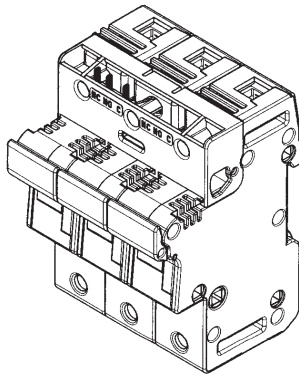
Mechanics for CMS 14 & 22

Microswitch options

Auxiliary microswitches can only be mounted on previously prepared fuse disconnectors. Use of the auxiliary microswitch for fuse melting requires the use of fuses with strikers.

1 auxiliary microswitch

CMS 14 (C219261) - US14 (Z227929)
CMS 22 (L212093) - US 22 (H227960)

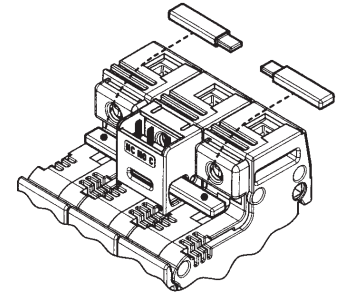


or

1 auxiliary microswitch

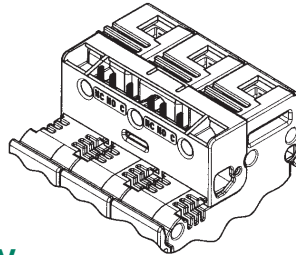
CMS 14 (M218741+F213629)
CMS 22 (E211581+F213629)

US 14 (Y227928+F213629)
US 22 (G229759+F213629)



2 auxiliary microswitches

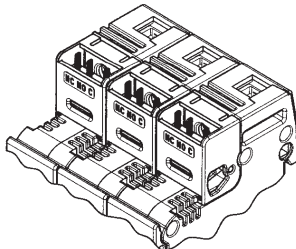
CMS 14 (D219791) - US14 (A227930)
CMS 22 (B212613) - US 22 (J227961)



3 independent auxiliary microswitches

CMS 14 (3 x M218741)
CMS 22 (3 x E211581)

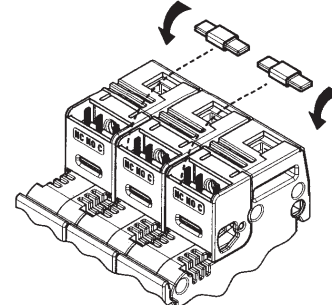
US 14 (3 x Y227928)
US 22 (3 x G227959)



3 mechanically interconnected auxiliary microswitches

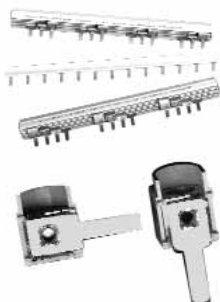
CMS 14 (3 x M218741+2 x J214138)
CMS 22 (3 x E211581+2 x J214138)

US 14 (3 x Y227928) + (2 x J214138)
US 22 (3 x G227959) + (2 x J214138)



NOTE: Do not fit with more than 3 microswitches

Supply wiring bars and terminals



Description	Cat. Number	Ref. Number	Maximum acceptable RMS current (A)	Pckg
jumping bar for 4 (CMS 14/US 14) 3 poles	CMS14BB3F4	A210312	100	5
jumping bar for 6 (CMS 14/US 14) 2 poles	CMS14BB2F6	Z210311	63	5
jumping bar for 12 (CMS 14/US 14) 1 pole	CMS14BB1F12	Y210310	63	5
jumping bar for 6 (CMS 22/US 22) 2 poles	CMS22BB2F6	C210314	150	5
jumping bar for 12 (CMS 22/US 22) 1 pole	CMS22BB1F12	B210313	90	5
Single-pole terminal, side	TBB1C	E210316	90	50
2/3-pole terminal, side	TBB23C	G210318	90	50
Single-pole terminal, axial	TBB1A	D210315	90	50
2/3-pole terminal, axial	TBB23A	F210317	90	50



IEC General Purpose Fuses Ferrule Fuses Modulostar® CMS14, CMS22

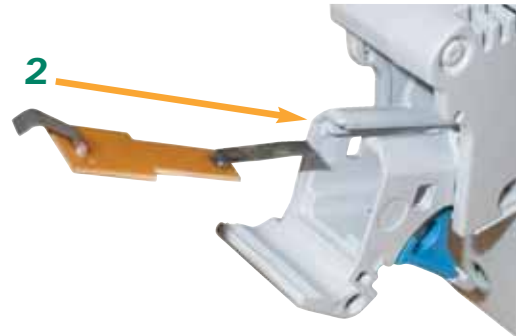
Indicator light kit

With the indicator light a blown fuse can be quickly located if power is still on

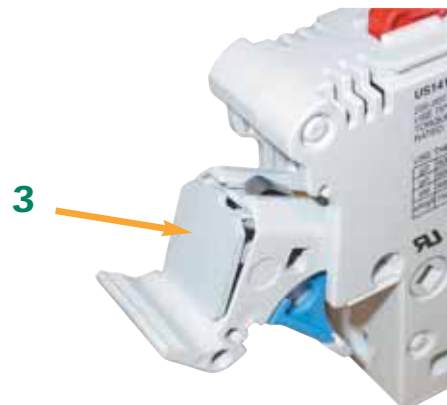
1 Carefully remove the cover with 2 screw drivers.



2 Slip the indicator lights top insert into the rails, being careful not to twist the contact tabs.



3 Put the cover back on



Assembly precautions in multipole assemblies

When fuse holders are side by side or very near each other (less than one module apart), they must be derated again, in addition to derating for temperature

Number of 17.5 mm modules	Derating factor
1-2-3	None = 1
4-5-6	0.8
7-8-9	0.7
> 10	0.6