



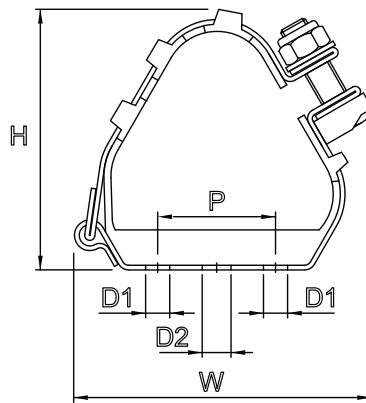
“EMPEROR” STAINLESS STEEL CABLE CLEATS

Applications:

- Trefoil and single cable arrangements.
- Safely restrain cables in event of a short circuit.

Features:

- 2mm thick 316L marine grade stainless steel frame.
- Tested to 235kA peak @ 0.1sec.
- LSF zero halogen polymeric liner & base pad.
- Range taking.
- Withstand harshest environmental conditions.



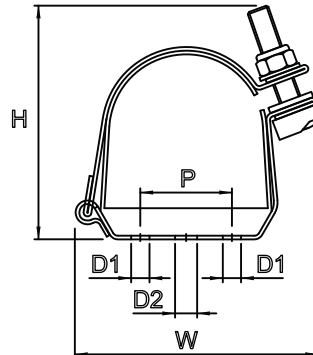
Cleat Depth 54mm



SELECTION TABLE FOR TREFOIL CABLE APPLICATIONS

Part No.	Cable Range		Dimensions					Approx. Weight g
	Min O/D mm	Max O/D mm	W mm	H mm	P mm	D1 mm	D2 mm	
EPER23-28	23	28	96	83	25	10.2	12.2	425
EPER27-32	27	32	97	88	25	10.2	12.2	440
EPER30-35	30	35	99	91	25	10.2	12.2	445
EPER33-38	33	38	103	95	25	10.2	12.2	460
EPER36-42	36	42	124	100	50	10.2	12.2	600
EPER40-46	40	46	125	106	50	10.2	12.2	605
EPER44-50	44	50	130	117	50	10.2	12.2	630
EPER48-55	48	55	132	121	50	10.2	12.2	640
EPER51-58	51	58	136	128	50	10.2	12.2	650
EPER55-62	55	62	160	135	75	10.2	12.2	810
EPER59-66	59	66	163	143	75	10.2	12.2	825
EPER63-70	63	70	166	151	75	10.2	12.2	850
EPER67-74	67	74	169	158	75	10.2	12.2	850
EPER71-78	71	78	172	165	75	10.2	12.2	890
EPER74-82	74	82	177	171	75	10.2	12.2	890
EPER77-85	77	85	183	177	75	10.2	12.2	905
EPER82-88	82	88	191	187	75	10.2	12.2	805
EPER88-96	88	96	207	203	75	10.2	12.2	850
EPER96-103	96	103	221	218	75	10.2	12.2	940
EPER103-111	103	111	237	235	75	10.2	12.2	950
EPER111-119	111	119	253	250	75	10.2	12.2	1010
EPER119-128	119	128	265	275	75	10.2	12.2	1220
EPER128-137	128	137	TBA	TBA	TBA	10.2	12.2	TBA
EPER137-146	137	146	TBA	TBA	TBA	10.2	12.2	TBA
EPER146-155	146	155	TBA	TBA	TBA	10.2	12.2	TBA

"EMPEROR" STAINLESS STEEL CABLE CLEATS



Cleat Depth 54mm



SELECTION TABLE FOR SINGLE CABLE APPLICATIONS

Part No.	Cable Range		Dimensions					Approx. Weight g
	Min O/D mm	Max O/D mm	W mm	H mm	P mm	D1 mm	D2 mm	
EPES32-39	32	39	91	89	25	10.2	12.2	450
EPES37-45	37	45	96	93	25	10.2	12.2	470
EPES44-52	44	52	99	98	25	10.2	12.2	480
EPES51-59	51	59	103	102	25	10.2	12.2	490
EPES58-66	58	66	109	101	25	10.2	12.2	500
EPES65-73	65	73	111	103	25	10.2	12.2	510
EPES73-85	73	85	135	112	50	10.2	12.2	640
EPES84-94	84	94	135	135	50	10.2	12.2	660
EPES94-118	94	118	160	150	75	10.2	12.2	710
EPES118-130	118	130	175	160	75	10.2	12.2	900
EPES127-150	127	150	180	180	75	10.2	12.2	940

